



BULKLINER S

A UNIQUE TECHNOLOGY!



www.benalu.com - facebook : [benaluofficiel](#) - youtube : [benalu constructeur](#)



Type: Trailer body

Chassis: aluminium

Box: aluminium

Useful length: from 9.70 m to 11.30 m

Useful height: from 1.90 m to 2.30 m

Volume: from 44.5 to 64 m³

Usage: Agricultural products, fertiliser, stones, sand
etc.



- **Double skin profile:** Appearance of the vehicle preserved, interior impact not visible from the outside (patent no.EP1435309)
- **Thickness gradient:** Improved service life! The material is concentrated in the most useful places
- **Unhooked aluminium chassis** to optimise volume and improve stability
- **Built-in passage :** Width of passage 2410 mm for all the door configurations

OPTIONS DESIGNED FOR OPTIMUM USAGE!

- Tarpaulin base for sticky products on the front right face (patent no. FR2976532)
- Manual or electrical side tarpaulin EASYTARP™
- Unlimited choice of colours and configurations
- Rear doors suited to your requirements
- Various wall thicknesses (base and sides)
- Equipment specifically for squaring
- etc.

Examine the various available options on www.benalu.com



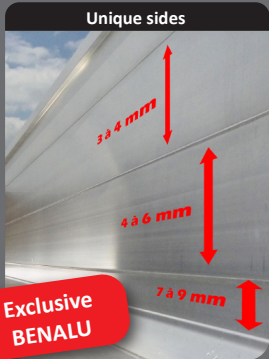
BULKLINER S

A UNIQUE TECHNOLOGY!



www.benalu.com - facebook : benaluofficial - youtube : benalu constructeur

TECHNICAL SPECIFICATIONS



Unique sides

Exclusive BENALU

A unique thickness gradient! The "double skin" technology allows the internal thickness to be varied over the height of the vehicle.



Universal door

Universal door of various thicknesses closed by bolts and gate.



Side tarpaulin

Side tarpaulin for fastening by straps suitable for all types of door.



Continuous welding

Continuous welding process that guarantees perfect watertightness of the assemblies.



Jack built into niche

Jack with built-in eye in niche which optimises the total volume.

OPTIONS & VARIANTS



Squaring equipment

More than 15 pieces of equipment specifically suited to the squaring trade.

Exclusive BENALU



EASYTARP™ tarpaulin

EASYTARP™ electric tarpaulin totally automated by radio control. (Patent no. EP2878551)

Innovation BENALU



Beetroot specific door

Innovative door, specifically designed to transport beetroot.



Base cover

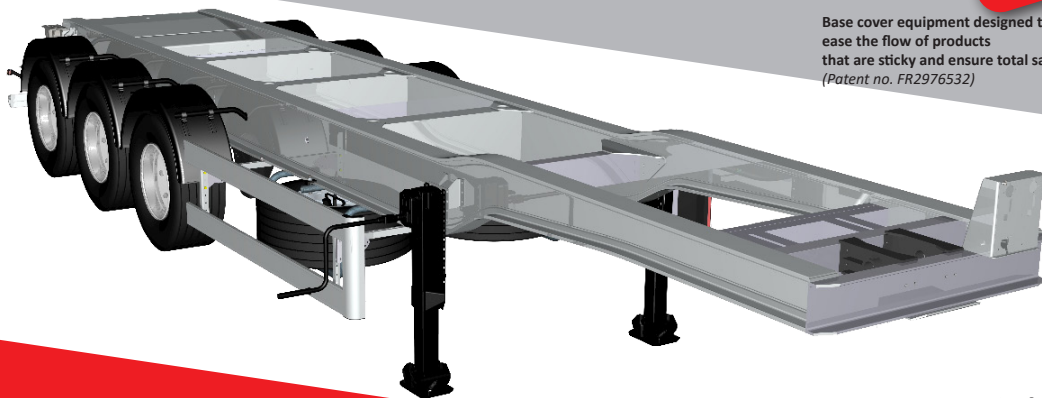
Base cover equipment designed to ease the flow of products that are sticky and ensure total safety (Patent no. FR2976532)

Innovation BENALU



Designer LED lights

Full LED lights which are low energy and have a particularly successful design.



100% aluminium detached chassis
Volume optimisation and improvement of stability

Rue Fresnel - BP 10002 - 62801 LIEVIN Cedex - France
E-MAIL : contact@benalu.com
WEBSITE : www.benalu.com / www.bennesmarrel.com
FACTORY : Tel. +33 (0)3 21 79 43 00
REPAIRS : Tel. +33 (0)3 21 79 43 70
SPARE PARTS: Tel. +33 (0)3 21 79 43 33